



65 Watt

AS65M10-36

182mm 36Cells PV Module

Electrical Characteristics

Module Type	AS65M10-36
	STC
Maximum Power- Pmax(W)	65
Open Circuit Voltage - Voc(V)	23.8
Short- Circuit Current - Isc(A)	3.37
Voltage at Pmax -Vmp(V)	20.43
Current at Pmax - Imp(A)	3.19
Module Efficiency - η m(%)	18.22
Power Tolerance(W)	0 ~ +3%
Maximum System Voltage(V)	1000Vdc (IEC / UL)
Maximum Series Fuse Rating (A)	10A

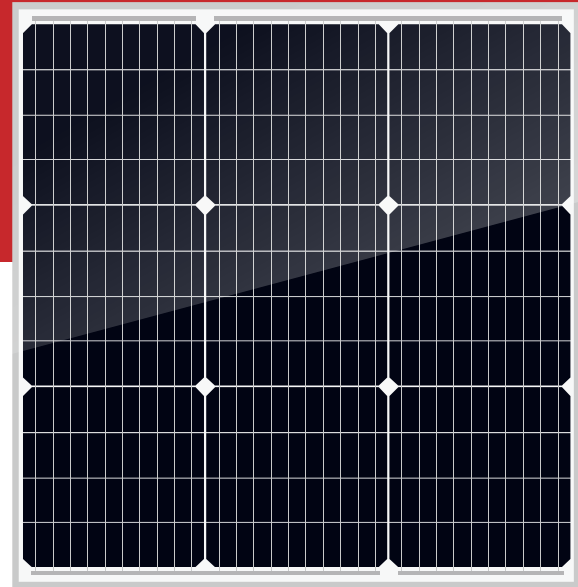
STC : Irradiance 1000W/m², Cell Temperature 25°C, AM 1.5

Mechanical Specifications

External Dimensions	615*580*25mm
Weight	3.75kg
Solar Cells	Mono crystalline 182x45.5mm (3X12pcs)
Front Glass	3.2 mm high transmission, low iron, tempered glass
Frame	Anodized Aluminum Alloy
Junction Box	IP67
Output Cables	Without cables and connector
Mechanical Load	Front Side Max. 5400Pa, Rear Side Max. 2400Pa

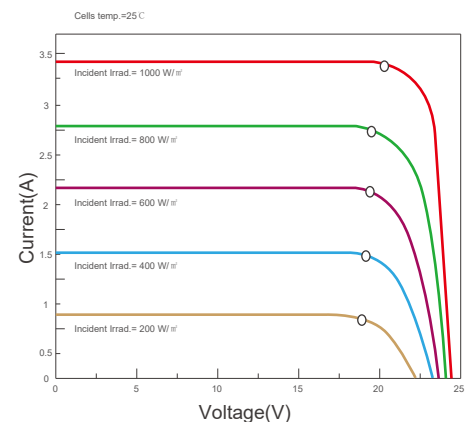
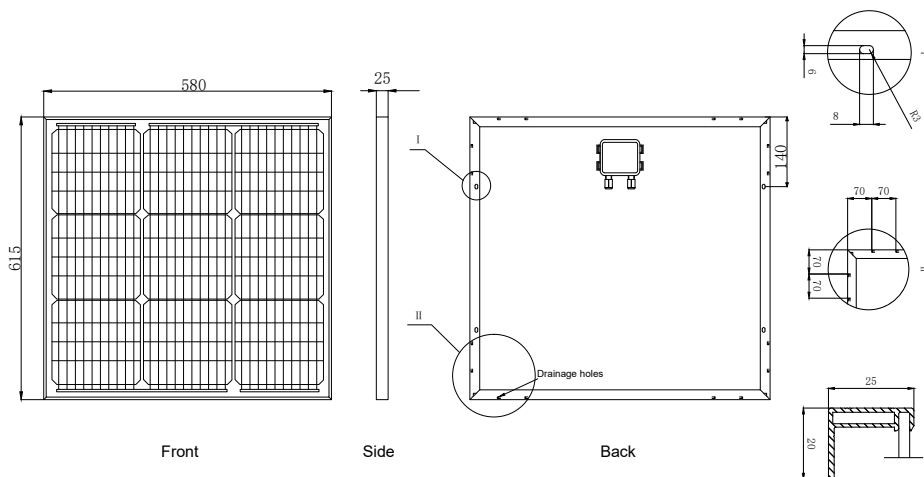
Temperature Characteristics

Pmax Temperature Coefficient	-0.400%/C
Voc Temperature Coefficient	-0.330%/C
Isc Temperature Coefficient	+0.048%/C
Operating Temperature	-40~+85 C
Nominal Operating Cell Temperature(NOCT)	45±2 C



Packing Configuration

Module Type	AS65M10-36
Module Dimensions	615*580*25mm
20FT	9Package/2124PCS
40HQ	18Package/5184PCS



Specs are subject to change without further notification